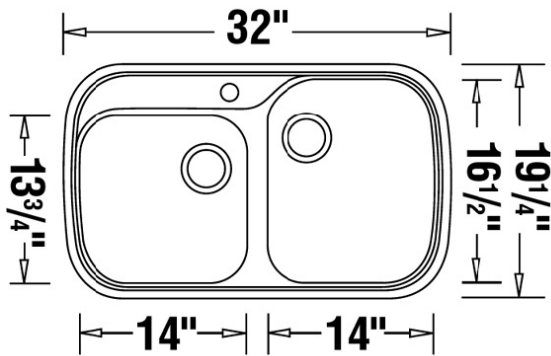


## BLANCO AVON SILGRANIT® Topmount Sink

Made of ultra durable granite composite material, BLANCO SILGRANIT® combines 80% natural granite, with high-quality acrylic for unmatched strength and durability.



400879 shown



**Bowl Depth / Profondeur des cuves : 8" & 8"**

Model No.	Colour	Bowl Depth	
		Main	Secondary
400805	Anthracite		
400879	Café		
401073	Biscotti	8" (205 mm)	8" (205 mm)
401176	Truffle		

### Material

BLANCO SILGRANIT®

Durable, patented composite material made of 80% natural granite

### Specifications

Minimum Cabinet Size: 33" (840 mm)

Unsurpassed scratch, chip and stain resistance

Heat resistant to temperatures of up to 280°C (536°F)

Fade-proof; solid colour throughout

Template included

Matching Silgranit® colour faucets and optional accessories available

1 additional knock-out hole for accessories

Undermountable with clips #406251 for added support

3.5" (90mm) stainless steel strainers included

Limited Lifetime Warranty

Accessories	
Model No.	Description
406258	Wood Cutting Board
406249	Crockery Basket (LB)
406286	Drain Tray

### BLANCO CANADA INC.

37 Jutland Road Toronto, Ontario M8Z 2G6

Tel: 905-612-0554 Toll Free: 1-877-425-2626

Fax: 905-612-9764 Toll Free: 1-877-825-2626

www.blancocanada.com