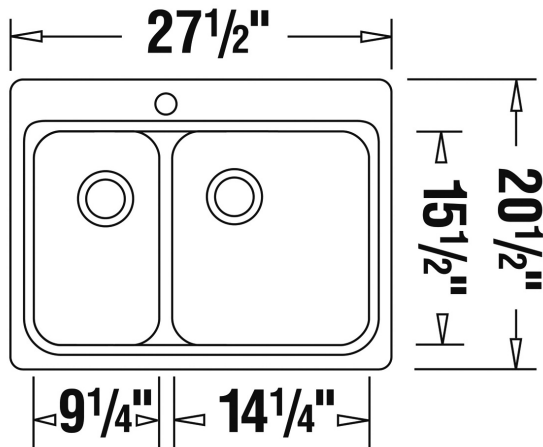


BLANCO BRIGHTON 1½ SILGRANIT® Topmount Sink

Made of ultra durable granite composite material, BLANCO SILGRANIT® combines 80% natural granite, with high-quality acrylic for unmatched strength and durability.



400344 shown with BETTY faucet in Chrome/Anthracite finish



Model No.	Colour	Bowl Depth	
		Main	Secondary
400344	Anthracite	8" (205 mm)	6½" (165 mm)

Material

BLANCO SILGRANIT®

Durable, patented composite material made of 80% natural granite

Specifications

Minimum cabinet size: 30" (760 mm)

Composite sink made from 80% natural granite, with high-quality acrylic, for unmatched strength and durability

Unsurpassed scratch, chip and stain resistance

Heat resistant to temperatures of up to 280°C (536°F)

4 additional knock-out holes for accessories

3 1/2" stainless steel strainers included

Limited lifetime warranty

Accessories	
Model No.	Description
406258	Wood Cutting Board
406249	Crockery Basket
406286	Drain Tray

BLANCO CANADA INC.

37 Jutland Road Toronto, Ontario M8Z 2G6

Tel: 905-612-0554 Toll Free: 1-877-425-2626

Fax: 905-612-9764 Toll Free: 1-877-825-2626

www.blancocanada.com