

BLANCO CANTATA Wall mount, pot filler

Ideal for installation over the stove, the CANTATA from BLANCO is a wall mounted cold water pot filler with a sleek contemporary look.



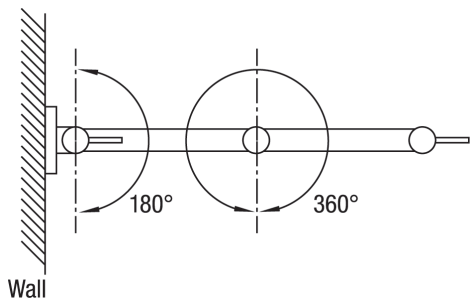
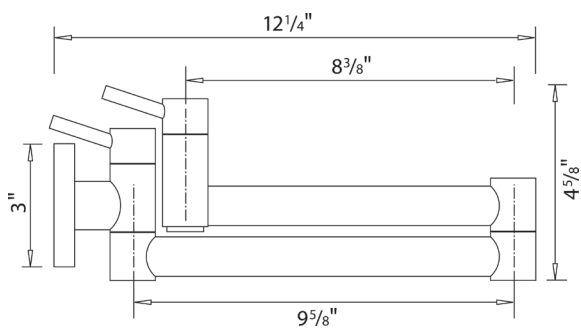
Finish	Model N°		
Chrome	400525		
Stainless Steel	400526		

Specifications

- Articulated arm extends 20" and swivels 180°
- Dual shut-off valves
- Neatly folds against the wall to the right or left when not in use
- Tapered, threaded nipple 1/2" outer diameter required (not included)
- Can be installed at desired height
- Solid brass construction
- 2.2 US Gallons per/min
- Ceramic disc cartridge
- Limited lifetime warranty



Chrome Stainless Steel



BLANCO CANADA INC.
 37 Jutland Road Toronto, Ontario M8Z 2G6
 Tel: 905-612-0554 Toll Free: 1-877-425-2626
 Fax: 905-612-9764 Toll Free: 1-877-825-2626
www.blancocanada.com