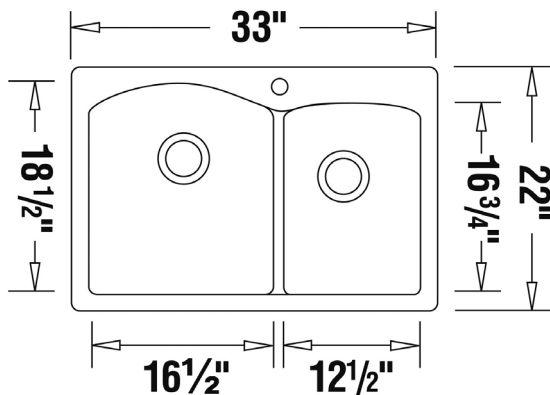


BLANCO DIAMOND 1.75 SILGRANIT® Topmount Sink

Made of ultra durable granite composite material, BLANCO SILGRANIT® combines 80% natural granite, with high-quality acrylic for unmatched strength and durability.



Model No.	Colour	Bowl Depth	
		Main	Secondary
400060	Anthracite	9½" (240 mm)	8" (205 mm)
400343	Café		
401064	Biscotti		
401153	Truffle		
400059	White		

Material

BLANCO SILGRANIT®

Durable, patented composite material made of 80% natural granite

Specifications

Minimum Cabinet Size: 36" (915 mm)

Unsurpassed scratch, chip and stain resistance

Heat resistant to temperatures of up to 280°C (536°F)

Fade-proof; solid colour throughout

Rear positioned drain holes for max. usable bowl and cabinet space

3.5" (90 mm) stainless steel strainers included

Matching Silgranit® colour faucets and optional accessories available

Enormous main bowl accommodates bulky items

Template included

Limited Lifetime Warranty

4 additional knock-out holes for accessories

Accessories

Model No.	Description
406228	Stainless steel grid (S bowl)
406227	Stainless steel grid (L bowl)
406258	Maple cutting board
400238	Stainless steel mesh colander (L bowl)
400237	Stainless steel mesh colander (S bowl)
406291	Stainless steel crockery basket (L bowl)
406351	Stainless steel crockery basket (S bowl)

BLANCO CANADA INC.

9-3909 Nashua Dr., Mississauga, ON L4V 1R3

Tel: 905-612-0554 Toll Free: 1-877-425-2626

Fax: 905-612-9764 Toll Free: 1-877-825-2626

www.blancocanada.com