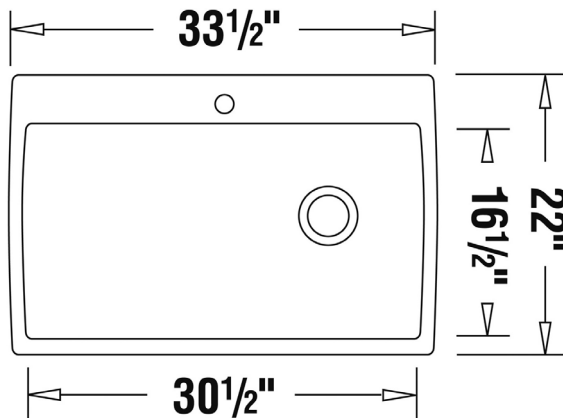


## BLANCO DIAMOND MAXI SILGRANIT® Topmount Sink

Made of ultra durable granite composite material, BLANCO SILGRANIT® combines 80% natural granite, with high-quality acrylic for unmatched strength and durability.



Shown undermounted with clips sold separately for added support



Model No.	Colour	Bowl Depth	
		Main	Secondary
400069	Anthracite	9½" (240 mm)	
400369	Café		
401155	Truffle		

### Material

BLANCO SILGRANIT®

Durable, patented composite material made of 80% natural granite

### Specifications

Minimum Cabinet Size: 36" (915 mm)

Unsurpassed scratch, chip and stain resistance

Heat resistant to temperatures of up to 280°C (536°F)

Fade-proof; solid colour throughout

6 additional knock-out for accessories

3.5" (90 mm) stainless steel strainer included

Matching Silgranit® colour faucets and optional accessories available

Extra large single bowl

Template included

Limited Lifetime Warranty

### Accessories

Model No.	Description
406256	Stainless steel grid
400238	Stainless steel mesh colander
406258	Maple cutting board

### BLANCO CANADA INC.

9-3909 Nashua Dr., Mississauga, ON L4V 1R3

Tel: 905-612-0554 Toll Free: 1-877-425-2626

Fax: 905-612-9764 Toll Free: 1-877-825-2626

www.blancocanada.com