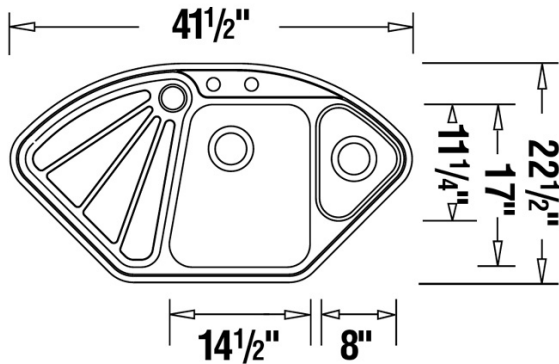


BLANCO ELITE SILGRANIT® Topmount Corner Sink

Made of ultra durable granite composite material, BLANCO SILGRANIT® combines 80% natural granite, with high-quality acrylic for unmatched strength and durability. Drainboard extends workspace and can be used as a cutting board.



Model 400808



Bowl Depth / Profondeur des cuves : 7" & 4 3/4"



Model No.	Colour	Bowl Depth	
		Main	Secondary
400808	Anthracite	7" (178 mm)	4 3/4" (120 mm)
Material			
BLANCO SILGRANIT®			
Durable, patented composite material made of 80% natural granite			
Made in Germany			
Specifications			
Minimum cabinet size: 30" (760 mm) or 36" x 36" (915 x 915 mm)			
Award winning European Design			
Composite sink made from 80% natural granite, with high-quality acrylic, for unmatched strength and durability			
Unsurpassed scratch, chip and stain resistance			
Heat resistant to temperatures of up to 280°C (536°F)			
Includes Template			
3 1/2" (90mm) stainless steel strainers included			
1 additional knock-out hole for accessory			
Limited Lifetime Warranty			
Accessories			
Model No.	Description		
400237	Mesh Colander		

BLANCO CANADA INC.

37 Jutland Road Toronto, Ontario M8Z 2G6
Tel: 905-612-0554 Toll Free: 1-877-425-2626
Fax: 905-612-9764 Toll Free: 1-877-825-2626
www.blancocanada.com