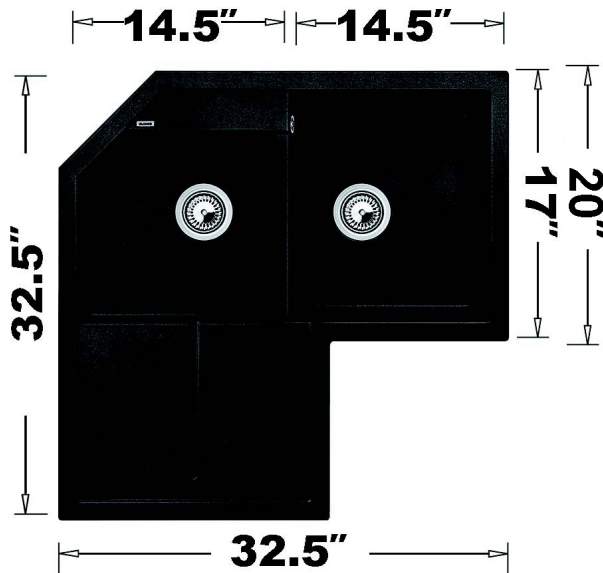


BLANCO METRA SILGRANIT® Corner Sink Topmount Sink

Made of ultra durable granite composite material, BLANCO SILGRANIT® combines 80% natural granite, with high-quality acrylic for unmatched strength and durability. The drainboard extends your workplace and can be used as a cutting board.



Model 400575 shown with ALTA faucet in Anthracite



Model No.	Colour	Bowl Depth	
		Main	Secondary
400575	Anthracite	7 1/2" (190 mm)	4 3/4" (120 mm)

Material

BLANCO SILGRANIT®

Durable, patented composite material made of 80% natural granite

Made in Germany

Specifications

Minimum cabinet size: 36" x 36" (915 mm x 915 mm)

Unsurpassed scratch, chip and stain resistance

Heat resistant to temperatures of up to 280°C (536°F)

Large main bowl and spacious secondary bowl

Includes Template

3 1/2" (90 mm) stainless steel strainers included

2 additional knock-out holes for accessories

Comes with overflow

Limited Lifetime Warranty

Accessories	
Model No.	Description
406249	Crockery Basket
400238	Colander

BLANCO CANADA INC.

37 Jutland Road Toronto, Ontario M8Z 2G6

Tel: 905-612-0554 Toll Free: 1-877-425-2626

Fax: 905-612-9764 Toll Free: 1-877-825-2626

www.blancocanada.com