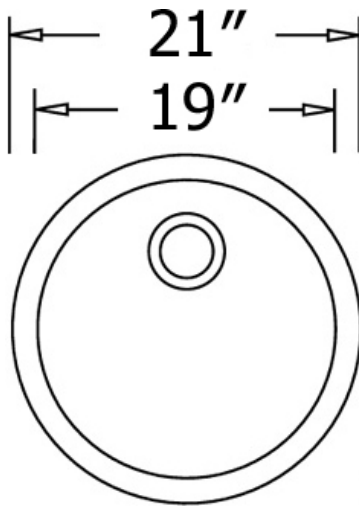


BLANCO RONIS MicroEdge™ Stainless Steel



design award
winner

Winner of the prestigious international iF award for design, the RONIS is an innovative, elegant, large round sink ideal for an island or even as a main sink. A stepped bowl provides support for the accessory bridge which holds a stainless steel bowl and colander. An elegant black glass cutting board sits on the sink rim or countertop.



MicroEdge™
Flushmount look
Topmount sink

Model No.	Bowl Depth	
	Main	Secondary
401099	7" (175 mm)	

Material

20-gauge stainless steel

18/10 chrome/nickel content

Satin polish finish

Specifications

Minimum cabinet size: 24" (610 mm)

Accessory bridge features a stainless steel support frame to transfer easily to countertop or table for serving

MicroEdge™ rim ideal for topmount or undermount installation

Generous bowl with steep sides and accentuated radius for maximum bowl space

MicroEdge™ clips included

Installation specification sheet included

Strainer included

Made in Germany

RONIS includes accessory bridge with two stainless steel bowls and black satin glass cutting board

BLANCO CANADA INC.

9-3909 Nashua Dr., Mississauga, ON L4V 1R3

Tel: 905-612-0554 Toll Free: 1-877-425-2626

Fax: 905-612-9764 Toll Free: 1-877-825-2626

www.blancocanada.com